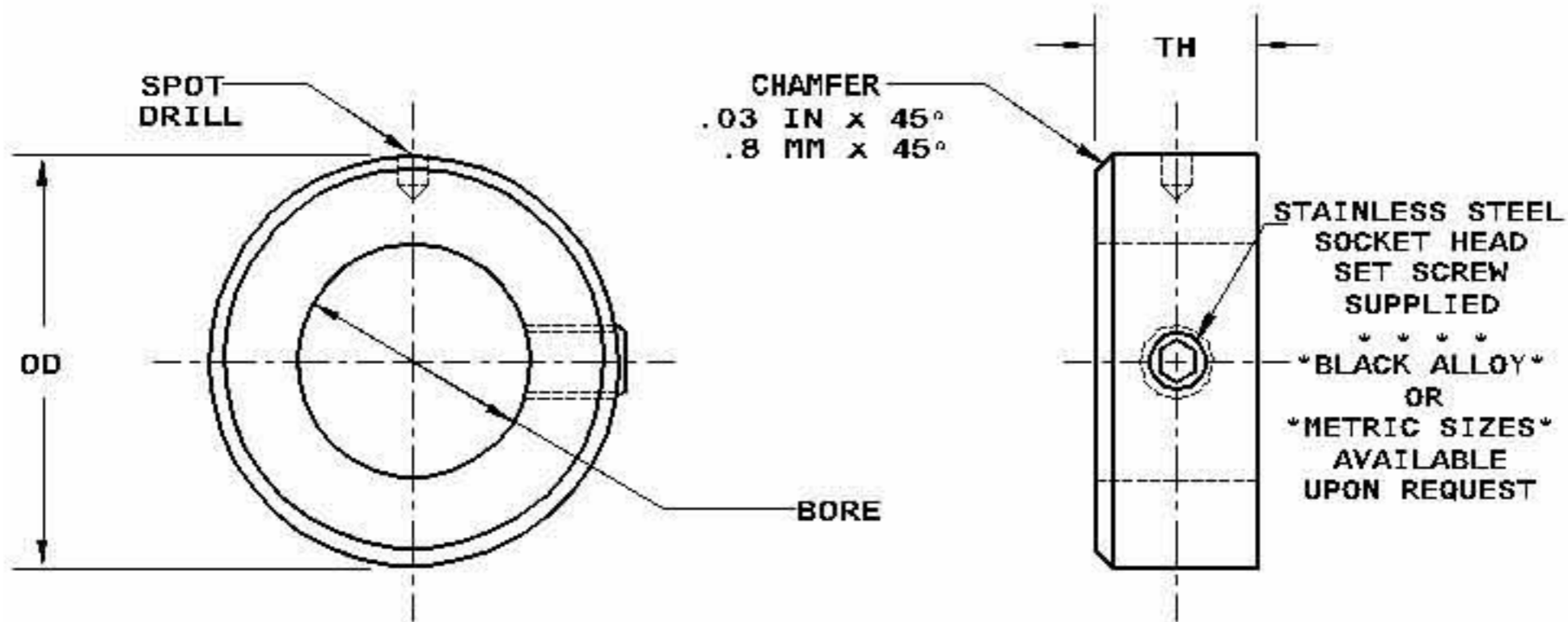


# CR2

# SERIES

PAGE 21  
PRECISION COLLARS  
1 SCREW TYPE



SUFFIX	MATERIAL	FINISH
S	STAINLESS STEEL 303	CLEAR PASSIVATE

TOLERANCES			
INCH		METRIC	
.XX	±.016	.X	±.4
.XXX	±.005	.XX	±.13
BORE	+.0005	BORE	+.013

CATALOG NO.	SUFFIX	BORE		OD		TH		SPOT		SCREW
		IN	MM	IN	MM	IN	MM	IN	MM	
CR2-0712.0779	S	.0779	1.979	.218	5.54	.120	3.05	.015	.38	0-80
CR2-0712.0785	S	.0785	1.995							
CR2-0812.0935	S	.0935	2.375	.250	6.35	.120	3.05	.015	.38	0-80
CR2-1018.1179	S	.1179	2.995							
CR2-1018.1182	S	.1182	3.003							
CR2-1018.1200	S	.1200	3.048							
CR2-1018.1248	S	.1248	3.170	.312	7.92	.180	4.57	.028	.71	2-56
CR2-1018.1560	S	.1560	3.962							
CR2-1018.1573	S	.1573	3.995							
CR2-1018.1576	S	.1576	4.003							
CR2-1222.1873	S	.1873	4.757							
CR2-1222.1967	S	.1967	4.995	.375	9.53	.220	5.59	.040	1.02	4-40
CR2-1222.1970	S	.1970	5.003							
CR2-1625.2360	S	.2360	5.995							
CR2-1625.2363	S	.2363	6.003	.500	12.70	.250	6.35	.070	1.78	6-32
CR2-1625.2405	S	.2405	6.109							
CR2-1625.2498	S	.2498	6.345							
CR2-1625.2757	S	.2757	7.003							
CR2-1828.3123	S	.3123	7.932	.562	14.27	.280	7.11	.070	1.78	6-32
CR2-1828.3148	S	.3148	7.995							
CR2-1828.3151	S	.3151	8.003							
CR2-2437.3748	S	.3748	9.520							
CR2-2437.3935	S	.3935	9.995	.750	19.05	.375	9.53	.120	3.05	10-32
CR2-2437.3938	S	.3938	10.003							
CR2-3250.4722	S	.4722	11.995							
CR2-3250.4726	S	.4726	12.003							
CR2-3250.4998	S	.4998	12.695							
CR2-3250.5510	S	.5510	13.995	1.000	25.40	.500	12.70	.149	3.78	1/4-20
CR2-3250.5623	S	.5623	14.282							
CR2-3250.5904	S	.5904	14.995							
CR2-3250.6248	S	.6248	15.870							
CR2-3250.6297	S	.6297	15.995							

## IMPULSE

## MECHANISMS INC

79-82 N INDUSTRY CT  
DEER PARK NY 11729  
TEL (631) 586-5755  
FAX (631) 586-5757